

All rights reserved by **CNH Industrial**.

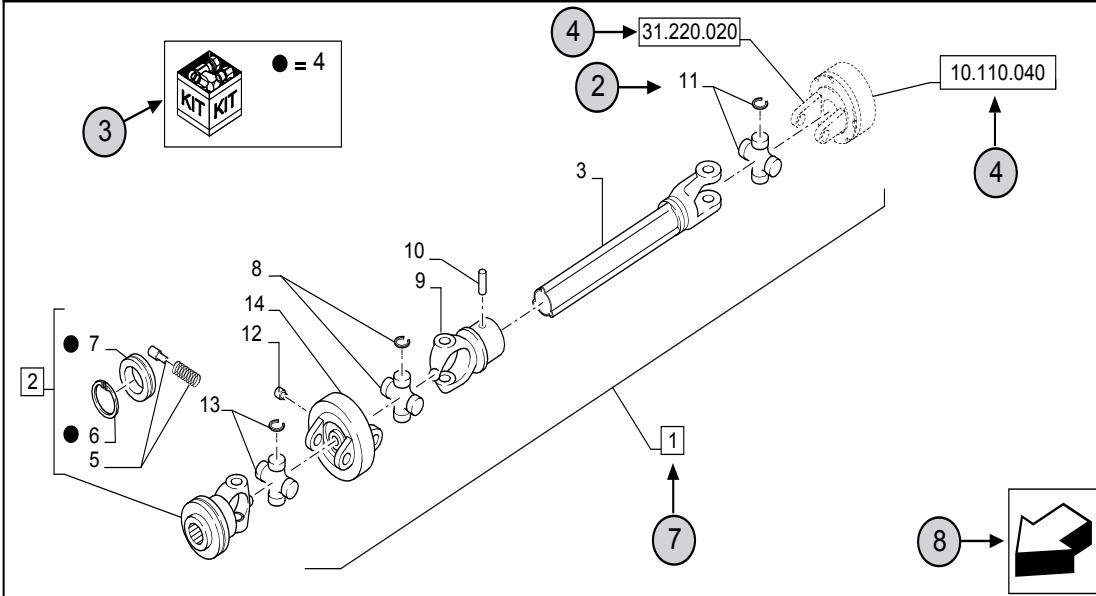
The information contained in this catalogue is intended to be of a general nature only. **CNH Industrial** may at any time and from time to time, for technical or other necessary reasons, modify any of the details or specifications of the product described in this catalogue.

To be sure of getting accurate, detailed and up-to-date information, an intending buyer should consult his nearest **CNH Industrial** dealer or distributor.

Single item numeration method used in this catalogue may not be used without written consent from **CNH Industrial**

31.220.010	01	p1	10/2014
------------	----	----	---------

VAR - 123782, 789101,987654 - PTO - D650



STANDARD ← (6)


(23)	(9)	(10)	31.220.010	01	p1	10/2014
------	-----	------	------------	----	----	---------

VAR - 123782, 789101,987654 - PTO - D650

(11) (12) (13) (14)

REF	FN	PART NUMBER	YR/SN	QTY	DESCRIPTION
1	1	86529340	(20)	1	SHAFT PTO, Incl 2 - 11
2	(15)	84014007		1	YOKE, Incl 4 - 7 ← (7)
3	(16)	NSS		1	NOT SERVICED SEPARATELY, SHAFT, 350mm, Incl in 1
4		84004292		1	KIT, Seal Kit, Incl 6, 7 (17)
4		{84058743}		1	KIT, Seal Kit, Incl 6, 7
(2)	(18)	(19)		(21)	(22)
		1 = FOR ITALY ONLY ← (5)			

MODELS ← (1)

- 1 Model Number and Model Description
- 2 Reference - Figure call-out of the part number.
- 3 Parts supplied in repair kits per symbol reference.
- 4 31.220.020 Part illustrated on the **Page** or in the **Figure** indicated, or calls for **Variations** or **Details**. Indicates components shown in detail elsewhere in the catalogue under the figure number shown.
- 5 Footnote references
- 6 Figure notes
- 7 1 2 Includes item(s) ..... (See Description within partlist).
- 8 Orientation. (Arrow indicates front of the machine). 
- 9 Figure description.
- 10 General information of the figure.
- 11 Figure title number that aligns with the SRT. Standard Repair Time.
- 12 **Sequence** code within the assembly.
- 13 Page number within the sequence code.
- 14 **Date** of printing or updating of page (month-year).
- 15 **Note** - Relating to the Part Number. There is a key to symbols and abbreviations at the bottom of the text page.
- 16 Non-serviced parts.
- 17 Further description of the part to help confirm identification.
- 18 Not available as service part.
- 19 Part Number.
- 20 To be defined.
- 21 Total **Quantity** of the Part referred to in the page.  
The quantity can be replaced by the following indications:  
**AR** = quantity as requested.
- 22 Part **Description**.
- 23 Variant Codes

---

## TABLE OF CONTENTS

---

00.000.00		PICTORIAL INDEX - MAIN SECTIONS
00.000.10		PICTORIAL INDEX - ENGINE
00.000.21		PICTORIAL INDEX - TRANSMISSION
00.000.23		PICTORIAL INDEX - FOUR WHEEL DRIVE SYSTEM
00.000.25		PICTORIAL INDEX - FRONT AXLE SYSTEM
00.000.27		PICTORIAL INDEX - REAR AXLE SYSTEM
00.000.31		PICTORIAL INDEX - IMPLEMENT POWER TAKE-OFF
00.000.33		PICTORIAL INDEX - BRAKES & CONTROLS
00.000.35		PICTORIAL INDEX - HYDRAULIC SYSTEMS
00.000.37		PICTORIAL INDEX - HITCHES, DRAWBARS AND IMPLEMENT COUPLINGS
00.000.41		PICTORIAL INDEX - STEERING
00.000.44		PICTORIAL INDEX - WHEELS
00.000.50		PICTORIAL INDEX - CAB CLIMATE CONTROL
00.000.55		PICTORIAL INDEX - ELECTRICAL SYSTEMS
00.000.88		PICTORIAL INDEX - ACCESSORIES
00.000.90		PICTORIAL INDEX - PLATFORM, CAB, BODYWORK AND DECALS
00.100.01		INITIAL STOCKING LIST (ISL)
05.100.01	02	ISL LIST B PARTS RECOMENDED FOR PLANNED MAINTENCE AND BASIC REPAIR
05.100.03	02	CAPACITIES, BOOMER 46D, 54D
05.100.99		INITIAL STOCKING LIST (LIST C)
05.102.AA		BRACKET, FIRE EXTINGUISHER
10.000.00		SECTION INDEX - ENGINE
10.001.AB		CYLINDER BLOCK, ASSY
10.001.AN		MOUNTING, ENGINE, TRANSMISSION
10.101.AA	01	CYLINDER HEAD
10.101.AB	01	VALVE COVER
10.102.AP	01	ENGINE OIL PAN
10.103.AH	01	BELL HOUSING
10.105.AB		PISTON, CONNECTING ROD, ENGINE
10.106.AA	01	CAMSHAFT
10.106.AA	02	CRANKSHAFT PULLEY
10.110.AD		DAMPER, ENGINE
10.202.AK		AIR INTAKE
10.206.AG	01	FUEL FILTER
10.206.AG	02	FUEL FILTER, SUPPORT ASSEMBLY
10.206.AG	03	FUEL FILTER/WATER SEPARATOR

---

## TABLE OF CONTENTS

---

10.210.AF		FUEL LINE & INLINE FILTER
10.216.AI		FUEL TANK
10.218.AI		FUEL INJECTOR
10.250.AC		TURBOCHARGER, EXHAUST MANIFOLD
10.400.BB	01	WATER PUMP
10.400.BC	01	THERMOSTAT
10.400.BE	01	RADIATOR, CONDENSER, CAB, ROPS
10.400.BE	02	FASTENER, RADIATOR & RELATED PARTS, CAB, ROPS
10.408.AO		ENGINE OIL FILTER
10.408.AO	01	ENGINE OIL, COOLER
10.414.AC		FAN GUARD, ENGINE
10.500.AO		EXHAUST SYSTEM
21.000.00		SECTION INDEX - TRANSMISSION
21.109.AC		TRANSMISSION, COOLING SYSTEM LINE
21.109.AK		TRANSMISSION, COOLER
21.504.AA		TRANSMISSION
21.504.AB		CONTROL VALVE ASSY, VARIATOR
21.504.AK	01	REAR HOUSING ASSEMBLY
21.504.AK	02	REAR HOUSING ASSEMBLY
21.504.AK	03	REAR HOUSING ASSEMBLY
21.504.AK	04	FRONT HOUSING
21.504.AK	05	FRONT HOUSING 40 HP
21.504.AK	06	FRONT HOUSING 45HP & 50HP
21.504.AK	07	LIFT HOUSING ASSEMBLY
21.504.AK	08	LIFT CYLINDER
21.504.AK	09	INTERNAL LEVERS
21.504.AK	10	TOP LINK BRACKET
21.504.AK	11	CONTROL LEVER
21.504.AK	13	CONTROL VALVE
21.506.AA		COMPLETE TRANSMISSION EXTERNAL PIPING
21.506.BC		COMPLETE TRANSMISSION EXTERNAL FILTER & PIPING
21.507.AA		TRANSMISSION RELEASE CONTROL
21.507.AF		FORWARD/REVERSE SHUTTLE CLUTCH
21.600.AC		VARIATOR
37.108.AE		HPL LINKAGE
23.000.00		SECTION INDEX - FOUR WHEEL DRIVE SYSTEM

---

## TABLE OF CONTENTS

---

23.304.AJ	01	FWD SHAFT/MID PTO SHAFT
23.304.AJ	02	FWD SHAFT W/O MID PTO
23.304.AJ	03	FWD/MID PTO ENGAGEMENT
23.304.AJ	04	FWD ENGAGEMENT W/O MID PTO
25.000.00		SECTION INDEX - FRONT AXLE SYSTEM
25.100.AA		FRONT AXLE
25.100.AD		SPINDLE, FRONT AXLE
25.100.AV		HOUSING, FRONT AXLE
25.102.AC		PINION, FRONT AXLE
25.102.AD		DIFFERENTIAL, FRONT AXLE
25.108.AA		DRIVE SHAFT, FRONT AXLE
25.108.AE		FRONT AXLE, HUB
25.108.AG		STEERING KNUCKLE, FRONT AXLE
27.000.00		SECTION INDEX - REAR AXLE SYSTEM
27.100.AJ		DRIVE SHAFT, REAR AXLE
27.106.AA		BEVEL GEAR, DIFFERENTIAL
27.106.AK		DIFFERENTIAL LOCK
27.106.AL		DIFFERENTIAL LOCK LEVER
27.120.AF		PLANETARY GEAR
27.124.AD	01	LH FINAL REDUCTION HOUSING
27.124.AD	02	RH FINAL REDUCTION HOUSING
31.000.00		SECTION INDEX - IMPLEMENT POWER TAKE OFF
31.104.AR		PTO HYDRAULIC BLOCK
31.104.AS	01	PTO DRIVING SET
31.104.AS	02	REAR PTO CLUTCH
31.104.AS	03	SECONDARY PULLEY OUTPUT SHAFT
31.104.AY		PTO CONTROL GROUP
31.110.AO		SHAFT, REAR AXLE, PTO
31.110.AP	01	VAR - 743159 - COVER ASSY, REAR PTO
31.110.AP	02	VAR - 722092 - COVER ASSY, REAR PTO
31.114.AP		PTO SHIELD
31.120.AA		MID PTO
33.000.00		SECTION INDEX - BRAKES & CONTROLS
33.110.AJ		PARKING BRAKE
33.202.BN		LINKAGE, BRAKE
33.202.BN	01	DUAL PEDAL BRAKE LINKAGE

---

## TABLE OF CONTENTS

---

33.202.BN	02	BRAKES - DUAL PEDAL
35.000.00		SECTION INDEX - HYDRAULIC SYSTEMS
35.100.AA		HPL DROP RATE CONTROL
35.104.AA		HYDRAULIC PUMP
35.204.BE	01	REMOTE CONTROL VALVE, 3 POSITION
35.204.BE	02	REMOTE CONTROL VALVE, 4 POSITION
35.300.AN	01	HYDRAULIC PRESSURE FILTER & TUBING
35.300.AN	02	HYDRAULIC SUCTION FILTER & TUBING
35.300.AN	03	HYDRAULIC OIL FILTER
35.300.AN	04	HYDRAULIC MOTOR, HYDRAULIC LINE
35.300.BC		HYDRAULIC SYSTEM, OIL COOLER
35.304.AC		POWER STEERING PUMP
35.724.AE		JOYSTICK, MMV CABLE CONTROL
37.000.00		SECTION INDEX - HITCHES, DRAWBARS AND IMPLEMENT COUPLINGS
37.100.AA		DRAWBAR
37.120.AA		CHAIN, TOP LINK
37.120.AX		3 POINT HITCH
39.100.AY		FRAME, FRONT
41.000.00		SECTION INDEX - STEERING
41.101.AB		STEERING COLUMN, TILT/TELESCOPING
41.200.AA		POWER STEERING LINES
41.200.AO		HOSE ASSY., HYDRAULIC STEERING
41.206.AA		POWER STEERING MOTOR
41.216.AN		STEERING CYLINDER & TIE ROD, FRONT AXLE
41.216.AV		POWER STEERING HOSES
44.000.00		SECTION INDEX - WHEELS
44.511.AB		REAR WHEELS
44.511.AE		FRONT WHEELS
50.000.00		SECTION INDEX - CAB CLIMATE CONTROL
55.000.00		SECTION INDEX - ELECTRICAL SYSTEMS
55.000.AA	01	ELECTRIC SYSTEM CONTROL
55.000.AA	02	ELECTRICAL CONTROLLER GROUP
55.000.AA	03	ENHANCED FUNCTION CONTROLS
55.000.AA	04	FUSE
55.015.AA		ELECTRONIC CONTROL UNIT, ENGINE
55.015.AB		ENGINE HARNESS

---

## TABLE OF CONTENTS

---

55.051.AC		HVAC CONTROLS
55.100.DP		WIRE HARNESS
55.102.AA		FIRE EXTINGUISHER BRACKET
55.201.AE	01	STARTER MOTOR, ELECTRONIC
55.202.AE	01	ENGINE, BLOCK HEATER
55.301.AA		ALTERNATOR, COMPONENTS
55.302.AG		BATTERY - TRAY & CABLES
55.408.AA		HORN & BRACKET
55.512.BQ		INSTRUMENT CLUSTER
55.525.AC		THROTTLE CONTROL, FOOT
55.525.AL		HAND THROTTLE ASSEMBLY
88.000.00		SECTION INDEX - ACCESSORIES
88.035.AA	01	DIA KIT, REAR REMOTE #1 COMPLETING KIT
88.035.AA	02	DIA KIT, REAR REMOTE #2 COMPLETING KIT
88.035.AA	03	DIA KIT, REAR REMOTE #3 COMPLETING KIT
88.035.AA	04	DIA KIT, TWO FUNCTION MID-MOUNT HYDRAULIC VALVE KIT
88.035.AA	05	MID-MOUNT HYDRAULIC CONTROL VALVE
88.035.AA	06	DIA KIT, 3 POSITION SELF CENTERING VALVE
88.035.AA	07	DIA KIT, 4 POSITION FLOAT & DETENT VALVE
88.037.AA	01	DIA KIT, FRONT TOW HOOK
88.037.AA	02	DIA KIT, REAR COUNTERWEIGHT BRACKET
88.040.AA	01	DIA KIT, FRONT END WHEEL WEIGHTS, WEIGHT CARRIER & WEIGHT ADAPTER BRACKET SUPERSTEER
88.040.AA	02	DIA KIT, REAR WHEEL WEIGHTS, 105 LBS AG BAR & INDUSTRIAL WHEELS ONLY
88.050.AA		DIA KIT, ROTATING BEACON
88.050.AA	02	TRANSMISSION IMMERSION HEATER
88.055.AA		DIA KIT, ENHANCED USER INTERFACE UPGRADE
88.090.AA	01	DIA KIT, REAR WINDSHIELD WIPER/WASHER
88.090.AA	02	DIA KIT, CAB ROOF SKYLIGHT BRUSH GUARD
88.090.AA	05	DIA KIT, GRILLE GUARD KIT
88.100.14		DIA KIT, WORK LIGHT
88.100.AH	01	CAB, TOOL BOX
90.000.00		SECTION INDEX - PLATFORM, CAB, BODYWORK & DECALS
90.100.AC	01	AIR DEFLECTOR GUARD, 55 AMP ALTERNATOR
90.100.AC	02	AIR DEFLECTOR FAN GUARD, 75 AMP ALTERNATOR
90.100.AG	01	FRONT CONSOLE
90.100.AG	02	HOOD, REAR OUTSIDE (ONE PIECE)



---

## TABLE OF CONTENTS

---

90.100.AJ		FIREWALL
90.100.AU	01	HOOD, HEADLIGHT
90.100.AU	02	HOOD
90.102.AN	01	GRILLE GUARD
90.108.AB	01	DECALS, IDENTIFICATION BOOMER 46D
90.108.AB	02	DECALS, IDENTIFICATION BOOMER 54D
90.108.AB	03	DECALS, OPERATING
90.108.AC	01	DECALS, WARNING
90.108.AC	03	SLOW MOVING VEHICLE EMBLEM
90.110.AP		PLATFORM
90.110.AV		BEZEL, PLATFORM
90.116.AC	01	FENDER
90.116.AP		HANDLE GRIP, FENDER
90.118.CE		STEP
90.120.AD		DELUXE SUSPENSION SEAT
90.150.BG		ROOF
90.154.AA	01	DOOR, LH
90.154.AA	02	DOOR, RH
90.154.AM		REAR WINDOW
90.160.AH		HEADLINER
90.160.AR		FLOOR MAT



---

## SECTION INDEX

### GENERAL & PICTORIAL INDEX

---

00.000.00	PICTORIAL INDEX - MAIN SECTIONS
00.000.10	PICTORIAL INDEX - ENGINE
00.000.21	PICTORIAL INDEX - TRANSMISSION
00.000.23	PICTORIAL INDEX - FOUR WHEEL DRIVE SYSTEM
00.000.25	PICTORIAL INDEX - FRONT AXLE SYSTEM
00.000.27	PICTORIAL INDEX - REAR AXLE SYSTEM
00.000.31	PICTORIAL INDEX - IMPLEMENT POWER TAKE-OFF
00.000.33	PICTORIAL INDEX - BRAKES & CONTROLS
00.000.35	PICTORIAL INDEX - HYDRAULIC SYSTEMS
00.000.37	PICTORIAL INDEX - HITCHES, DRAWBARS AND IMPLEMENT COUPLINGS
00.000.41	PICTORIAL INDEX - STEERING
00.000.44	PICTORIAL INDEX - WHEELS
00.000.50	PICTORIAL INDEX - CAB CLIMATE CONTROL
00.000.55	PICTORIAL INDEX - ELECTRICAL SYSTEMS
00.000.88	PICTORIAL INDEX - ACCESSORIES
00.000.90	PICTORIAL INDEX - PLATFORM, CAB, BODYWORK AND DECALS
00.100.01	INITIAL STOCKING LIST (ISL)



PICTORIAL INDEX - MAIN SECTIONS

**ART**

**NOT**

**AVAILABLE**

**00.000.00**

p1

10/2016

**PICTORIAL INDEX - MAIN SECTIONS**

<b>REF FN</b>	<b>PART NUMBER</b>	<b>YR/SN</b>	<b>QTY DESCRIPTION</b>
---------------	--------------------	--------------	------------------------

**BOOMER 46D-COMPACT TRACTOR W/CAB - TIER 4B (EU) BOOMER 46D-COMPACT TRACTOR W/CAB - TIER 4B (NA) BOOMER 46D-COMPACT TRACTOR W/ROPS - TIER 4B (EU) BOOMER 46D-COMPACT TRACTOR W/ROPS - TIER 4B (NA) BOOMER 54D-COMPACT TRACTOR W/CAB - TIER 4B (EU) BOOMER 54D-COMPACT TRACTOR W/CAB - TIER 4B (NA) BOOMER 54D-COMPACT TRACTOR W/ROPS - TIER 4B (EU) BOOMER 54D-COMPACT TRACTOR W/ROPS - TIER 4B (NA)**

**ART**

**NOT**

**AVAILABLE**

**00.000.10**

p1

10/2016

**PICTORIAL INDEX - ENGINE**

<b>REF FN</b>	<b>PART NUMBER</b>	<b>YR/SN</b>	<b>QTY DESCRIPTION</b>
---------------	--------------------	--------------	------------------------

**BOOMER 46D-COMPACT TRACTOR W/CAB - TIER 4B (EU) BOOMER 46D-COMPACT TRACTOR W/CAB - TIER 4B (NA) BOOMER 46D-COMPACT TRACTOR W/ROPS - TIER 4B (EU) BOOMER 46D-COMPACT TRACTOR W/ROPS - TIER 4B (NA) BOOMER 54D-COMPACT TRACTOR W/CAB - TIER 4B (EU) BOOMER 54D-COMPACT TRACTOR W/CAB - TIER 4B (NA) BOOMER 54D-COMPACT TRACTOR W/ROPS - TIER 4B (EU) BOOMER 54D-COMPACT TRACTOR W/ROPS - TIER 4B (NA)**



PICTORIAL INDEX - TRANSMISSION

**ART**

**NOT**

**AVAILABLE**

**00.000.21**

p1

10/2016

**PICTORIAL INDEX - TRANSMISSION**

<b>REF FN</b>	<b>PART NUMBER</b>	<b>YR/SN</b>	<b>QTY DESCRIPTION</b>
---------------	--------------------	--------------	------------------------

**BOOMER 46D-COMPACT TRACTOR W/CAB - TIER 4B (EU) BOOMER 46D-COMPACT TRACTOR W/CAB - TIER 4B (NA) BOOMER 46D-COMPACT TRACTOR W/ROPS - TIER 4B (EU) BOOMER 46D-COMPACT TRACTOR W/ROPS - TIER 4B (NA) BOOMER 54D-COMPACT TRACTOR W/CAB - TIER 4B (EU) BOOMER 54D-COMPACT TRACTOR W/CAB - TIER 4B (NA) BOOMER 54D-COMPACT TRACTOR W/ROPS - TIER 4B (EU) BOOMER 54D-COMPACT TRACTOR W/ROPS - TIER 4B (NA)**

**ART**

**NOT**

**AVAILABLE**

**Thanks very much for your reading,  
Want to get more information,  
Please click here, Then get the complete  
manual**

**JustClickHere** 

**NOTE:**

**If there is no response to click on the link above,  
please download the PDF document first, and then  
click on it.**

**Have any questions please write to me:  
[admin@servicemanualperfect.com](mailto:admin@servicemanualperfect.com)**